

# NEWS





# Contents

Range	Description	Series	Page
-------	-------------	--------	------

## SUBMINIATURE

NCC IP67	Cable- and Panel Mount Connectors	670	6–7
----------	-----------------------------------	-----	-----

## MINIATURE

Snap-in IP67	Pluggable and Ready to Connect 4- and 6-Way Interface Boxes	720	10–11
M16-X	Cable Connectors and Female Panel Mount Connector	415	12–13

## POWER

HEC	Protective Hose Fitting	696	16–17
-----	-------------------------	-----	-------

## AUTOMATION TECHNOLOGY Sensors & Actuators

M8	Moulded and Shielded Male Cable Connector	718	20–21
M8	12 Pole Panel Mount Connectors with Dip Solder Contacts	768 · 718	22–23
M12-A	Cable Connectors Moulded with PA Threaded Ring	763	24–25
M12-A	Rectangular Male Panel Mount Connectors 20 and 26 mm	713 · 763	26–27

## AUTOMATION TECHNOLOGY Data Transmission & Power Supply

M8-D	Cable Connectors for Assembly, Moulded and Panel Mount Connectors	818	30–35
M12-S/-T	Power Angled Connectors Moulded	814 · 813	36–37
M12-K/-L	Power Angled Connectors with 120° Cable Outlet	824 · 823	38–39
M12-L	Panel Mount Connectors Two-Part Design	823	40–41



# SUBMINIATURE CONNECTORS

---



# NCC

Series	670
Contacts	5
Rated current	2 A
Rated voltage	50 V
Degree of protection	IP54 Female panel mount connector in unmated condition, IP67 in mated condition
Contact plating	Au (gold)
Termination	solder, dip solder

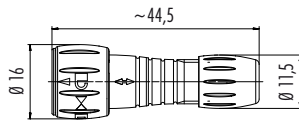


## 670 NCC Series • Cable- and Panel Mount Connectors

- Male cable connector with 3-5 mm cable outlet
- Panel mount connectors with solder and dip solder contacts
- Panel mount connectors in unmated condition IP54
- IP67 in mated condition
- Panel mount with front or rear fastening
- > 1000 mating cycles
- Bayonet locking system
- Available from now on



Description	Drawing	Contacts	Ordering-No.
Male cable connector		5	99 0759 010 05



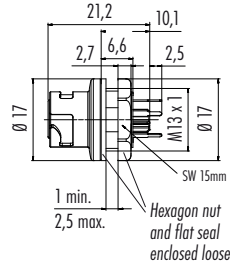
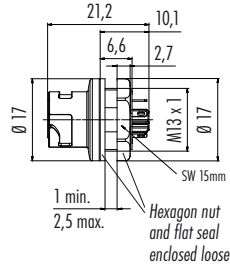
Female panel mount connector, solder/dip solder

solder

dip solder

5

09 0762 000 05 solder  
09 0762 090 05 dip solder



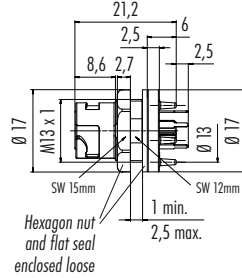
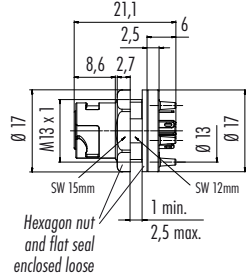
Female panel mount connector, front fastened, solder/dip solder

solder

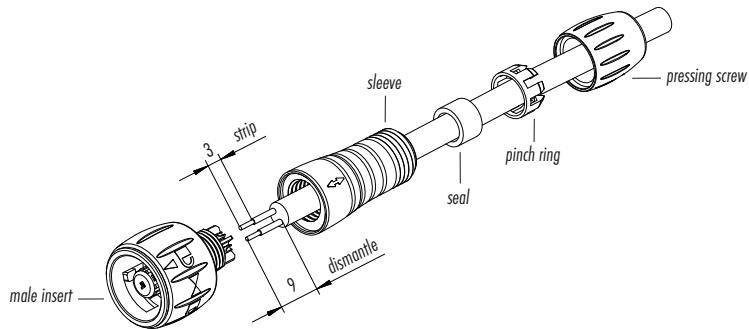
dip solder

5

09 0762 180 05 solder  
09 0762 190 05 dip solder



Assembly instruction



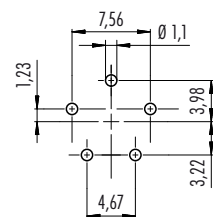
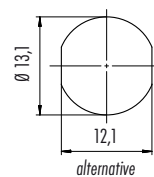
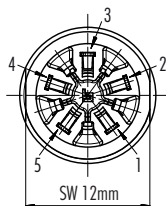
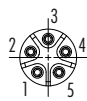
Contact arrangements

Male insert (termination side)

Female insert (termination side)

Panel cut out

Drilling schemes







# MINIATURE CONNECTORS

---



# M16-X

Series	415
Contacts	8
Rated current	0,5 A
Rated voltage	50 V AC/60 V DC
Degree of protection	IP67 in mated condition
Contact plating	Au (gold)



## 415 Series • Connectors with M16 X-Coding

- Introduction of the new M16-X series
- Data transmission up to 10 GBit/s
- Male and female cable connector
- Cable outlet 5,5 – 9 mm
- Female panel mount connector front fastened
- Female panel mount connector with dip solder contacts
- IP67 in mated condition
- Available from now on



**Description**

Male cable connector

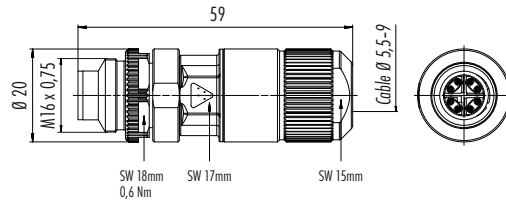
**Drawing**

**Contacts**

8

**Ordering-No.**

99 4171 00 08

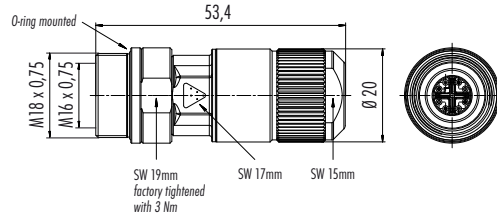


Cable outlet  
 with additional seal (thick-walled)  $\varnothing 5,5 - 6,7$  mm  
 with additional seal (thin-walled)  $\varnothing 6,7 - 7,7$  mm  
 without additional seal  $\varnothing 7,7 - 9,0$  mm

**Female cable connector**

8

99 4172 00 08

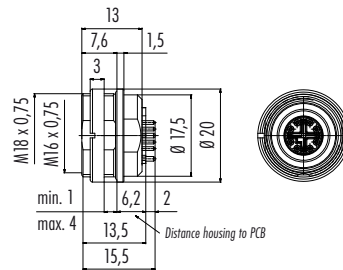


Cable outlet  
 with additional seal (thick-walled)  $\varnothing 5,5 - 6,7$  mm  
 with additional seal (thin-walled)  $\varnothing 6,7 - 7,7$  mm  
 without additional seal  $\varnothing 7,7 - 9,0$  mm

**Female panel mount connector, front fastened, dip solder**

8

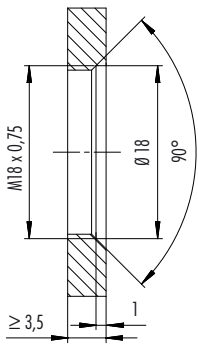
99 4174 90 08



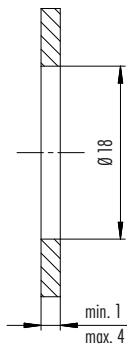
**Panel cut out**

**Female cable connector**

Use in flange with cutted thread

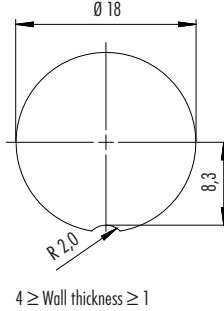


With bore hole and with nut  $M18 \times 0,75$  (Accessories)

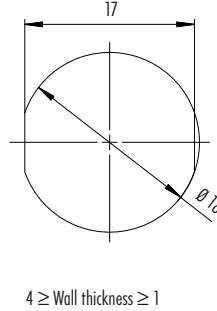


**Female panel mount connector**

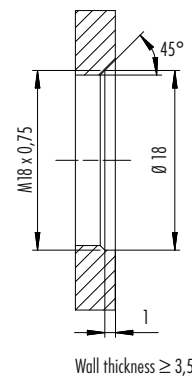
With nose as anti-rotation device



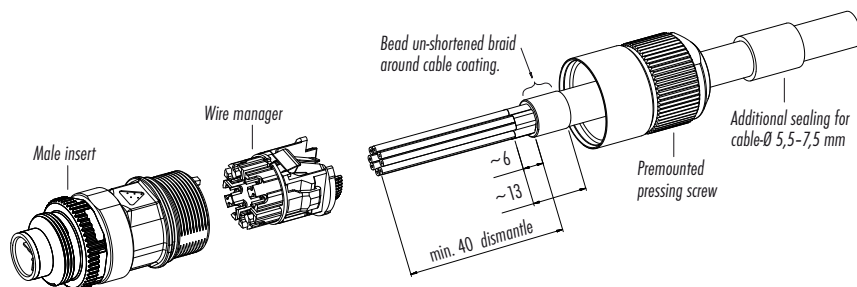
With flats as anti-rotation device



With bore hole Thread

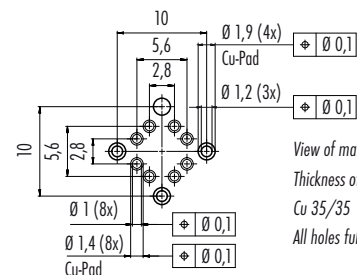


**Assembly instruction**



**Drilling schemes female insert (PCB)**

8 contacts



# Snap-in IP67

Series	720
Contacts	3, 5
Rated current	7 A/5 A (per conductor)
Rated voltage	250 V/125 V
Degree of protection	IP67 in mated condition
Contact plating	Au (gold)



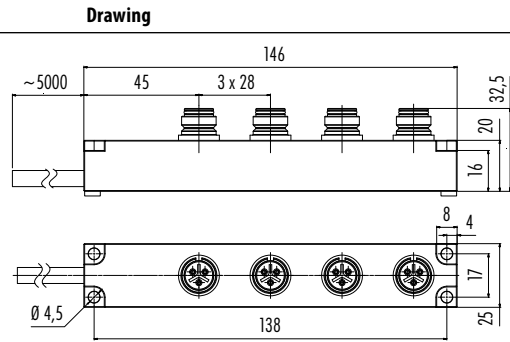
## 720 Series • Distributors

- Extension of the product range of 720 series
- Distributors: 4-way and 6-way
- 1:1 wiring
- 3 and 5 contacts
- IP67 in mated condition
- Available from now on



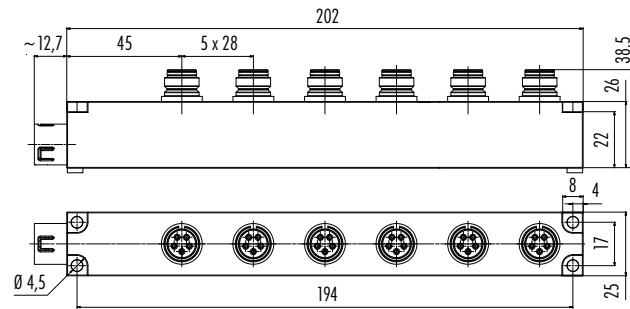
**Description**

Ready to connect interface box



Contacts	Numbers	Ordering-No.
3	4	72 9137 500 04
	6	72 9141 500 06
5	4	72 9138 500 04
	6	72 9142 500 06

Pluggable interface box

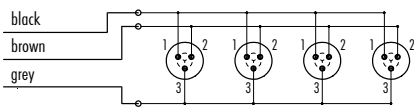


3	4	72 9139 000 04
	6	72 9143 000 06
5	4	72 9140 000 04
	6	72 9144 000 06

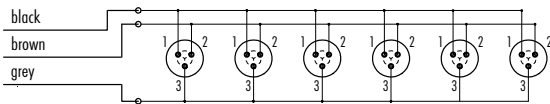
**Wirings**

ready to connect

3 contacts/4-way

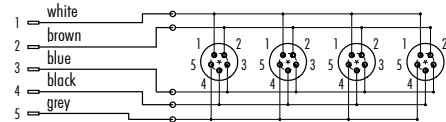


3 contacts/6-way

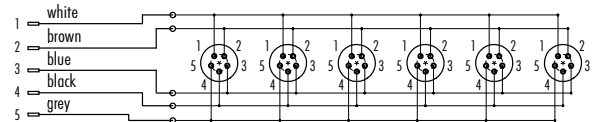


pluggable

5 contacts/4-way



5 contacts/6-way





# POWER CONNECTORS

---



# HEC

Series	696
Contacts	4+PE, 8 (4 + 3+PE), 12
Rated current	32 A – 3A
Rated voltage	600 V – 60 V
Contact plating	Ag (silver)
Termination	crimp



## 696 HEC Series · Protective Hose Fitting

- Protects cable and single wires from external damage
- Also available for retrofitting
- Now also with UL and VDE
- Available from now on



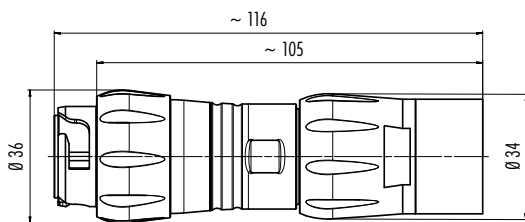


**Description**

Male cable connector,  
protective hose fitting



**Drawing**

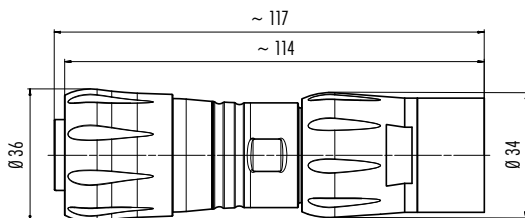


**Contacts**

**Ordering-No.**

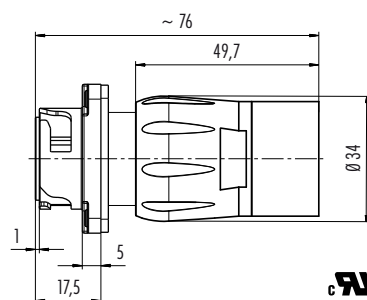
4+PE	99 6489 100 05
4+3+PE	99 6501 100 08
12	99 6517 100 12

Female cable connector,  
protective hose fitting



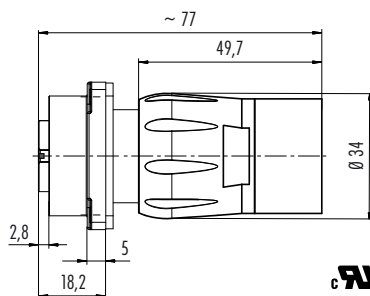
4+PE	99 6490 100 05
4+3+PE	99 6502 100 08
12	99 6518 100 12

Male panel mount connector,  
protective hose fitting



4+PE	09 6491 100 05
4+3+PE	09 6503 100 08
12	09 6519 100 12

Female panel mount connector,  
protective hose fitting

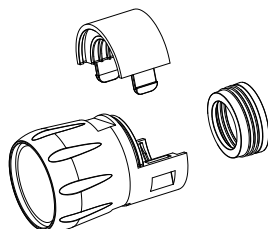


4+PE	09 6492 100 05
4+3+PE	09 6504 100 08
12	09 6520 100 12

Protective hose fitting

**Ordering-No.**

08 0056 000 000

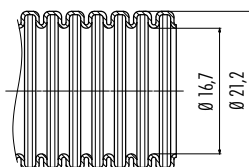


Pressing screw,  
Securing clip,  
Hose seal,  
are enclosed loose



Protective hose fitting, 50 m

08 0071 050 000





## Sensors & Actuators



# M8

Series	718
Contacts	3, 4, 6, 8
Rated current	4 A (3, 4 cont.), 1,5 A (6, 8 cont.)
Rated voltage	60 V (3, 4 cont.), 30 V (6, 8 cont.)
Shielding	360° shielding
Degree of protection	IP67 in mated condition
Contact plating	Au (gold)
Termination	PUR/PVC cable



## 718 Series • Male Cable Connector Moulded and Shielded

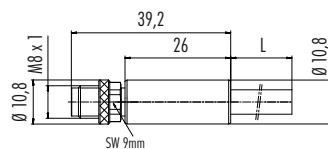
- Male cable connector moulded on cable
- Straight version
- Standard cable length is 2 m and 5 m
- Configurable according to customer requirements
- Available from quarter 4/2020

### Description

Male cable connector, moulded, shielded, PVC



### Drawing



### Contacts

### Cable length

### Ordering-No.

3	2 m	77 3505 0000 20003-0200
	5 m	77 3505 0000 20003-0500
4	2 m	77 3505 0000 20004-0200
	5 m	77 3505 0000 20004-0500
6	2 m	77 3505 0000 20006-0200
	5 m	77 3505 0000 20006-0500
8	2 m	77 3505 0000 20008-0200
	5 m	77 3505 0000 20008-0500

Male cable connector, moulded, shielded, PUR



3	2 m	77 3505 0000 50003-0200
	5 m	77 3505 0000 50003-0500
4	2 m	77 3505 0000 50004-0200
	5 m	77 3505 0000 50004-0500
6	2 m	77 3505 0000 50006-0200
	5 m	77 3505 0000 50006-0500
8	2 m	77 3505 0000 50008-0200
	5 m	77 3505 0000 50008-0500



# M8

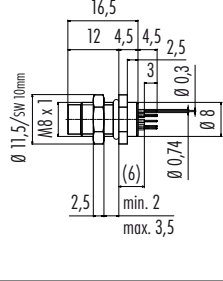
Series	768 · 718
Contacts	12
Rated current	1A
Rated voltage	30 V
Degree of protection	IP67
Contact plating	Au (gold)

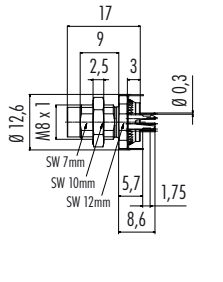


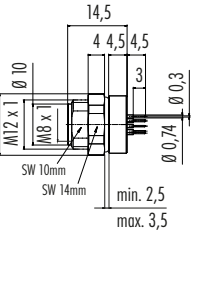
## 768/718 Series · M8 12 Pole Panel Mount Connectors with Dip Solder Contacts

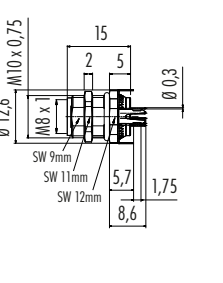
- Screw locking according to DIN EN 61076-2-104
- Degree of protection IP67
- Versions with and without shielding sheet
- Easy assembly
- Dip solder connection
- Various types
- Available from now on

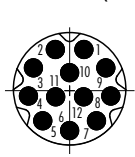
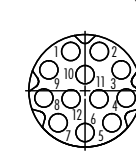


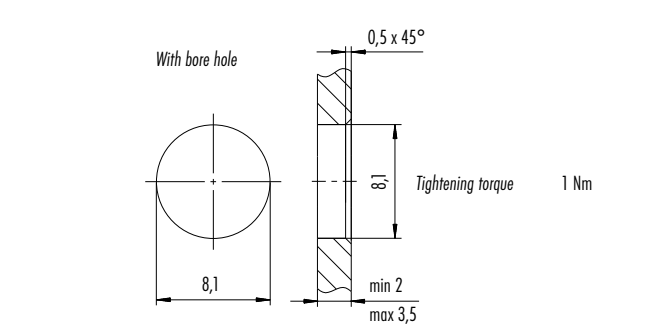
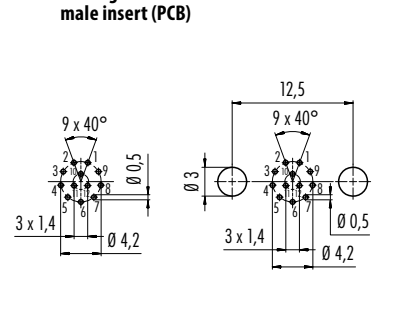
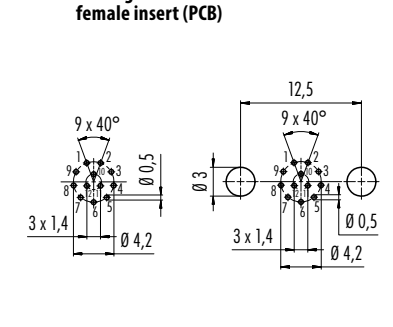
Description	Drawing	Contacts	Ordering-No.
Male panel mount connector, front fastened, dip solder		12	86 6119 1100 00012

Male panel mount connector, front fastened, dip solder, with shielding sheet		12	86 6319 1120 00012
--	---	----	--------------------

Female panel mount connector, front fastened, dip solder		12	86 6518 1100 00012
--	--	----	--------------------

Female panel mount connector, front fastened, dip solder, with shielding sheet		12	86 6618 1120 00012
--	---	----	--------------------

Contact arrangements	Male insert (mating side)	Female insert (mating side)
		

Panel cut out	Drilling schemes male insert (PCB)	Drilling schemes female insert (PCB)
		

# M12-A

Series	763
Contacts	3, 4, 5, 8, 12
Rated current	4 A (3, 4, 5 contacts) 2 A (8 contacts) 1,5 A (12 contacts)
Rated voltage	250 V (3, 4 contacts) 60 V (5 contacts) 30 V (8, 12 contacts)
Degree of protection	IP68 in mated condition
Contact plating	Au (gold)



## 763 Series • M12-A Male & Female Cable Connector with Plastic Threaded Ring

- Introduction of new cable connectors with plastic (PA) locking ring
- Overmoulded and ready-to-connect cable sets
- Male and female cable connector
- UV-resistant material
- Temperature resistant
- Cable diameter: 4,3 mm (3 contacts), 4,7 mm (4 contacts), 5,0 mm (5 contacts), 6,0 mm (8 contacts), 6,5 mm (12 contacts)
- IP68 in mated condition
- Available from now on

Description	Drawing	Contacts	Cable length	Ordering-No.		
Male cable connector, moulded, PUR		3	2 m 5 m	77 3419 0000 50003-0200 77 3419 0000 50003-0500		
		4	2 m 5 m	77 3419 0000 50004-0200 77 3419 0000 50004-0500		
			5	2 m 5 m	77 3419 0000 50005-0200 77 3419 0000 50005-0500	
		8		2 m 5 m	77 3419 0000 50708-0200 77 3419 0000 50708-0500	
			12	2 m 5 m	77 3419 0000 50712-0200 77 3419 0000 50712-0500	
		Female cable connector, moulded, PUR			3	2 m 5 m
			4		2 m 5 m	77 3420 0000 50004-0200 77 3420 0000 50004-0500
					5	2 m 5 m
			8			2 m 5 m
					12	2 m 5 m





# M12-A

Series	763
Contacts	4, 5, 8
Coding	A
Thread	M12
Rated current	4 A (4, 5 contacts) 2 A (8 contacts)
Rated voltage	250 V (4 contacts) 60 V (5 contacts) 30 V (8 contacts)
Degree of protection	IP68 in mated condition
Contact plating	Au (gold)
Termination	solder contacts, single wires AWG24



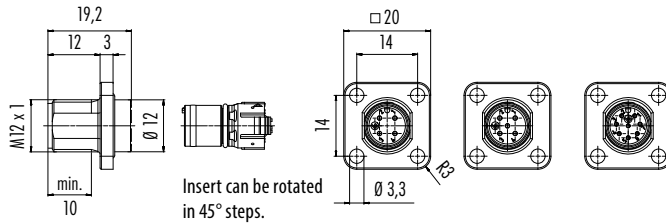
## 763 Series · M12 Rectangular Male Panel Mount Connectors 20 and 26 mm

- Portfolio expansion of M12 square flange connectors with positionable and snap-in A-coding
- Two-piece square flange connector consisting of housing and contact carrier enables easy assembly
- The coding nose can be positioned in 45° steps
- Versions with 4, 5 and 8 contacts
- Available from now on



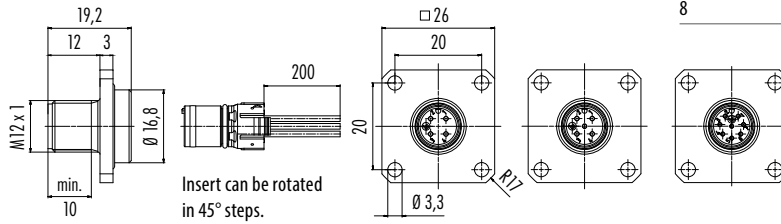
**Description**

Male panel mount connector, rectangular flange, solder, positioning possible, lockable, housing 20 mm



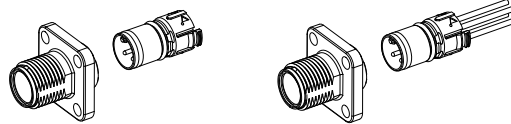
Contacts	Coding	Ordering-No.
4		99 3433 200 04
5	A	99 3443 200 05
8		99 3483 200 08

Male panel mount connector, rectangular flange, with single wires, positioning possible, lockable, housing 26 mm



4		99 3433 116 04
5	A	99 3443 116 05
8		99 3483 116 08

**Assembly instruction**



**Assembly:**

1. Put contact insert in desired mounting position into the housing until it is securely engages.

**Disassembly:**

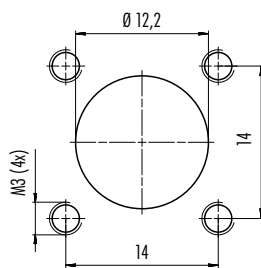
1. Press detent lever.
2. Press out the contact body simultaneously with a suitable object, from the mating side, without damaging the contacts.

**Note for contact insert with single wires:**  
When dismantling please do not pull the wires!

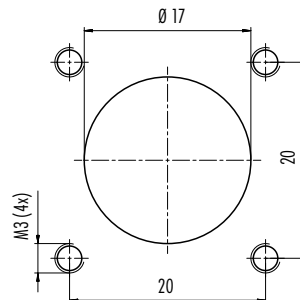
**Panel cut out**

Panel mount connectors square flange

**Housing 20 mm**



**Housing 26 mm**



For degree of protection IP67 / IP68 / IP69:  
Screws in M3 through thread seal.





## Data Transmission & Power Supply



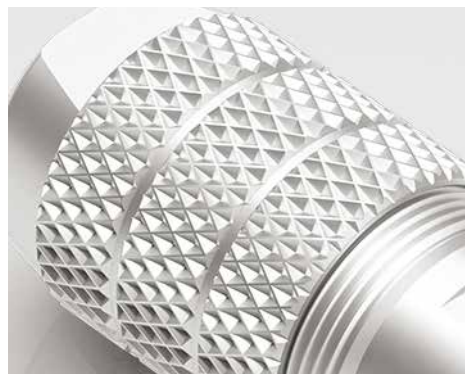
# M8-D

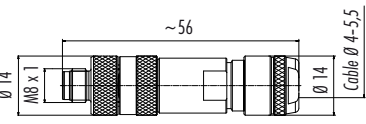
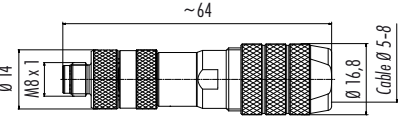
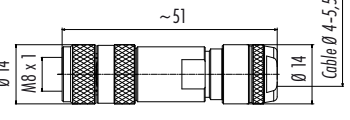
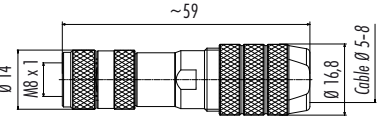
Series	818
Contacts	4
Rated current	4 A
Rated voltage	63 VDC
Degree of protection	IP67 in mated condition
Contact plating	Au (gold)



## 818 Series • Field-attachable, Moulded and Panel Mount Connectors

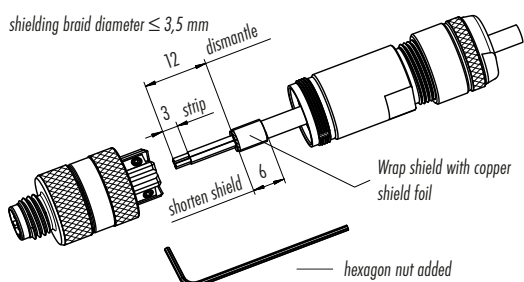
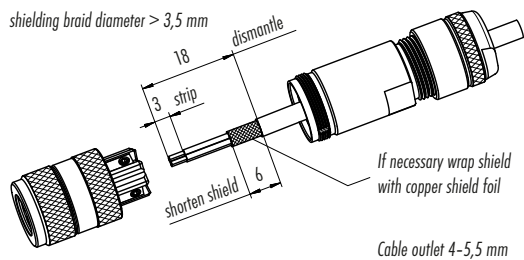
- M8-D according to IEC 61076-2-114
- Category CAT 5e
- Suitable for PoE+
- Transmission 100 MBit/s Ethernet
- Temperature range  $-25^{\circ}\text{C}/+85^{\circ}\text{C}$  (static)
- IP67 in mated condition
- Available from now on



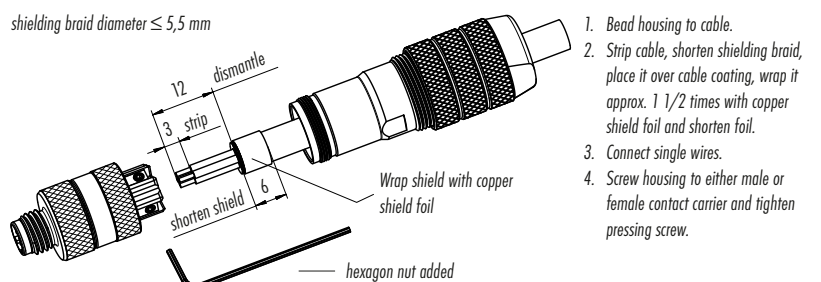
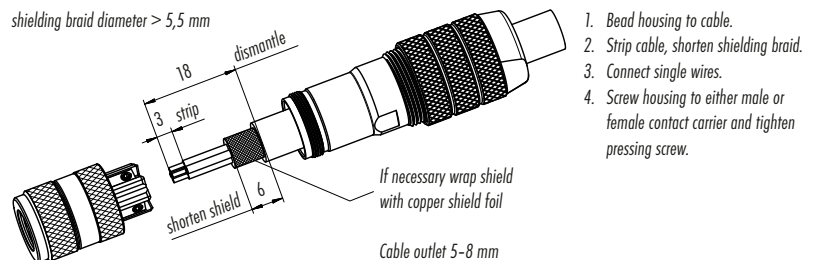
Description	Drawing	Contacts	Cable outlet	Ordering-No.
Male cable connector, screw clamp termination, iris type spring, shieldable, D-Coding		4	4-5,5 mm	99 3369 100 04
Male cable connector, screw clamp termination, iris type spring, shieldable, D-Coding		4	5-8 mm	99 3369 600 04
Female cable connector, screw clamp termination, iris type spring, shieldable, D-Coding		4	4-5,5 mm	99 3368 100 04
Female cable connector, screw clamp termination, iris type spring, shieldable, D-Coding		4	5-8 mm	99 3368 600 04

Assembly instruction

Cable outlet 4-5,5 mm



Cable outlet 5-8 mm



1. Bead housing to cable.
2. Strip cable, shorten shielding braid.
3. Connect single wires.
4. Screw housing to either male or female contact carrier and tighten pressing screw.

Description	Drawing	Contacts	Cable length	Ordering-No.
Male cable connector, moulded, Ethernet cable, D-Coding		4	2 m	77 5429 0000 50004-0200
			5 m	77 5429 0000 50004-0500



Female cable connector, moulded, Ethernet cable, D-Coding		4	2 m	77 5430 0000 50004-0200
			5 m	77 5430 0000 50004-0500



Male cable connector M8 x 1 – Male cable connector M8 x 1, D-Coding		4	2 m	77 5429 5429 50004
---	--	---	-----	--------------------



Male cable connector M8 x 1 – Female cable connector M8 x 1, D-Coding		4	2 m	77 5430 5429 50004
---	--	---	-----	--------------------


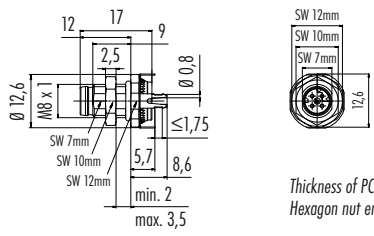

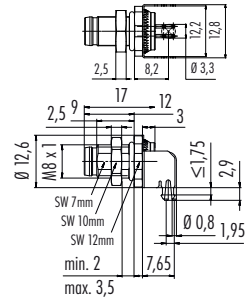

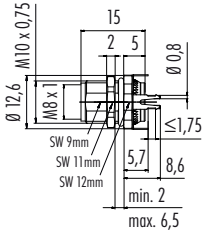

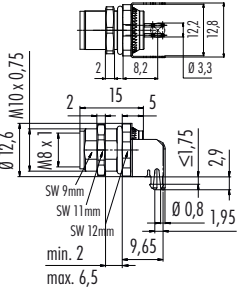


Contact arrangements	male insert (mating side)	female insert (mating side)																														
	<table border="1"> <thead> <tr> <th></th> <th>X</th> <th>Y</th> </tr> </thead> <tbody> <tr> <td>1</td> <td>0,00</td> <td>1,65</td> </tr> <tr> <td>2</td> <td>-1,65</td> <td>0,00</td> </tr> <tr> <td>3</td> <td>0,00</td> <td>-1,65</td> </tr> <tr> <td>4</td> <td>1,65</td> <td>0,00</td> </tr> </tbody> </table> <ul style="list-style-type: none"> <li>1 yellow</li> <li>2 white</li> <li>3 orange</li> <li>4 blue</li> </ul>		X	Y	1	0,00	1,65	2	-1,65	0,00	3	0,00	-1,65	4	1,65	0,00	<table border="1"> <thead> <tr> <th></th> <th>X</th> <th>Y</th> </tr> </thead> <tbody> <tr> <td>1</td> <td>0,00</td> <td>1,65</td> </tr> <tr> <td>2</td> <td>1,65</td> <td>0,00</td> </tr> <tr> <td>3</td> <td>0,00</td> <td>-1,65</td> </tr> <tr> <td>4</td> <td>-1,65</td> <td>0,00</td> </tr> </tbody> </table> <ul style="list-style-type: none"> <li>1 yellow</li> <li>2 white</li> <li>3 orange</li> <li>4 blue</li> </ul>		X	Y	1	0,00	1,65	2	1,65	0,00	3	0,00	-1,65	4	-1,65	0,00
	X	Y																														
1	0,00	1,65																														
2	-1,65	0,00																														
3	0,00	-1,65																														
4	1,65	0,00																														
	X	Y																														
1	0,00	1,65																														
2	1,65	0,00																														
3	0,00	-1,65																														
4	-1,65	0,00																														

Specifications	Ethernet Cable
<b>Contacts</b>	<b>4</b>
Wire gauge mm <sup>2</sup>	4 x AWG 22
Material jacket	PUR
Insulation of wire	Polyolefin
Design of wire (mm)	7 x AWG 22
Cable diameter (mm)	6,7
Resistance of wire	55 Ω/Km (20 °C)
Temperature range cable in move	-20 °C /+ 60 °C
Temperature range cable fixed	-40 °C /+ 80 °C
Bending radius cable in move	min. 15 x d
Bending radius cable fixed	min. 5 x d
Bending radius (at 10 x D)	2 Mio.
Permitted acceleration	2 m/s <sup>2</sup>
Traverse path horizontal 5 m/s <sup>2</sup>	5 m
Traverse path vertical 5 m/s <sup>2</sup>	5 m
Traverse speed	At 5 m horizontal traverse up to 200 m/min
Approval	PROFINET, UL/CSA

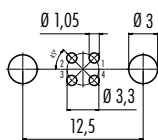




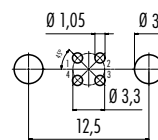
Description	Drawing	Contacts	Ordering-No.
<p>Male panel mount connector, front fastened, dip solder, with shielding sheet, D-Coding</p> 	 <p>Thickness of PCB: <math>\le 1,75</math> mm Hexagon nut enclosed loose</p>	4	86 6321 1120 00404
<p>Male angled panel mount connector, front fastened, dip solder, with shielding sheet, D-Coding</p> 	 <p>Thickness of PCB: <math>\le 1,75</math> mm Hexagon nut enclosed loose</p>	4	86 6321 1121 00404
<p>Female panel mount connector, front fastened, dip solder, with shielding sheet, D-Coding</p> 	 <p>Thickness of PCB: <math>\le 1,75</math> mm Hexagon nut enclosed loose</p>	4	86 6620 1120 00404
<p>Female angled panel mount connector, front fastened, dip solder, with shielding sheet, D-Coding</p> 	 <p>Thickness of PCB: <math>\le 1,75</math> mm Hexagon nut enclosed loose</p>	4	86 6620 1121 00404

**Drilling schemes** male insert (PCB), shielding sheet

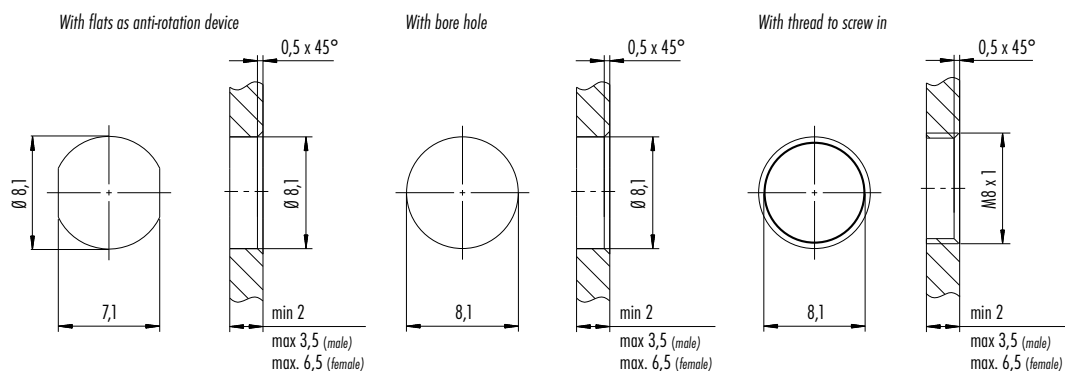
4 contacts



female insert (PCB), shielding sheet



**Panel cut out**



**Tightening moment**  
Metal housing 1 Nm  
Plastic housing 1 Nm



# M12-S/-T

Series	814, 813
Contacts	3+PE, 4
Coding	S, T
Thread	M12 x 1
Rated current	12 A
Rated voltage	630 V AC, 63 V DC
Degree of protection	IP68
Contact plating	Au (gold)



## 814/813 Series • M12 S- and T-Coded, Moulded Angled Connectors

- Extension of the M12-S/-T product portfolio
- Angled with PUR overmoulding
- Gold-plated contacts
- Protection against vibration
- S-Coding: 3+PE contacts, current 12 A, voltage 630 V AC
- T-Coding: 4 contacts, current 12 A, voltage 63 V DC
- Available from now on

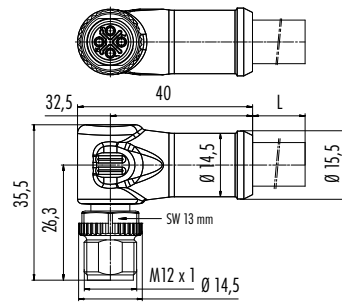


**Description**

Male angled connector with **S-coding**, for power supply, moulded, PUR



**Drawing**



**Contacts Coding**

3+PE S

**Cable jacket**

PUR

**Cable length**

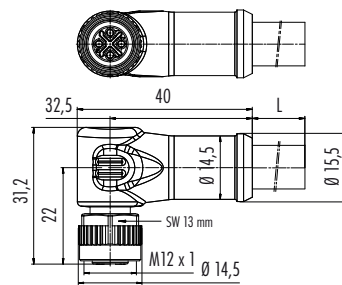
2 m

5 m

77 0687 0000 50704-0200

77 0687 0000 50704-0500

Female angled connector with **S-coding**, for power supply, moulded, PUR



3+PE S

PUR

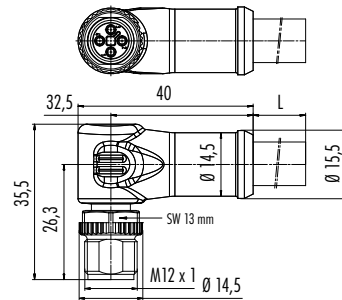
2 m

5 m

77 0694 0000 50704-0200

77 0694 0000 50704-0500

Male angled connector with **T-coding**, for power supply, moulded, PUR



4 T

PUR

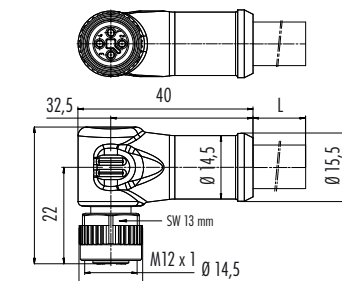
2 m

5 m

77 0627 0000 50704-0200

77 0627 0000 50704-0500

Female angled connector with **T-coding**, for power supply, moulded, PUR



4 T

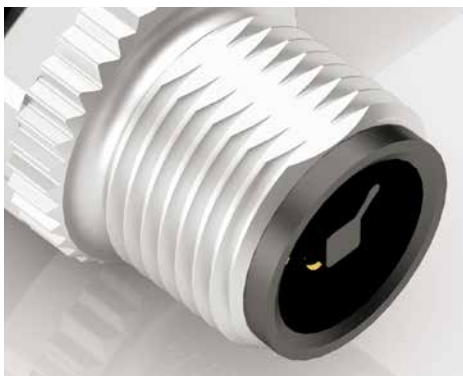
PUR

2 m

5 m

77 0634 0000 50704-0200

77 0634 0000 50704-0500



# M12-K/-L

Series	824, 823
Contacts	4+PE, 4+FE
Coding	K, L
Thread	M12 x 1
Rated current	12 A, 16 A
Rated voltage	630 V AC, 63 V DC
Degree of protection	IP67
Contact plating	Au (gold)



## 824/823 Series · M12 K- and L-Coded Angled Male and Female Connectors with 120° Cable Outlet

- Screw clamp termination
- Cable outlet up to 13 mm
- K-coded: 4+PE, current 12 A, voltage 630 V AC
- L-coded: 4+FE, current 16 A, voltage 63 V DC
- Available from now on

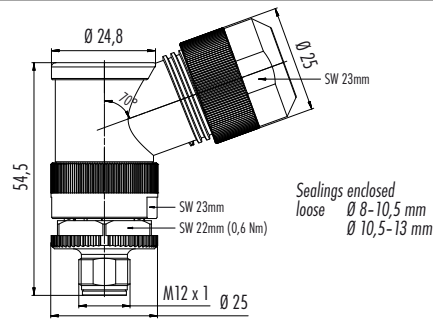


**Description**

Male angled connector with **K-coding**, screw clamp termination, Power

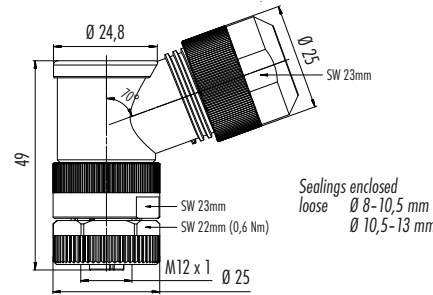


**Drawing**



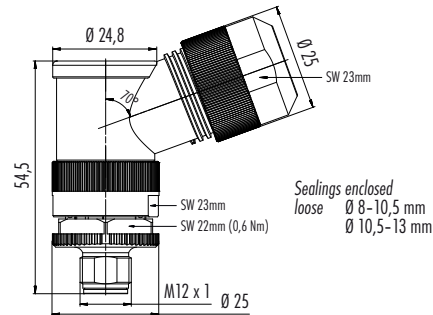
Contacts	Coding	Cable outlet	Ordering-No.
4+PE	K	8-13 mm	99 0699 58 05

Female angled connector with **K-coding**, screw clamp termination, Power



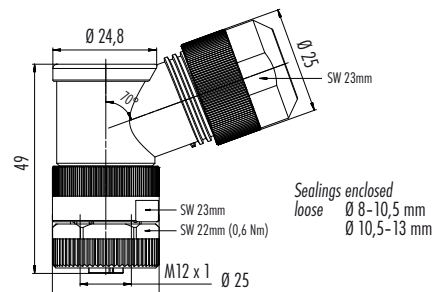
4+PE	K	8-13 mm	99 0700 58 05
------	---	---------	---------------

Male angled connector with **L-coding**, screw clamp termination, Power



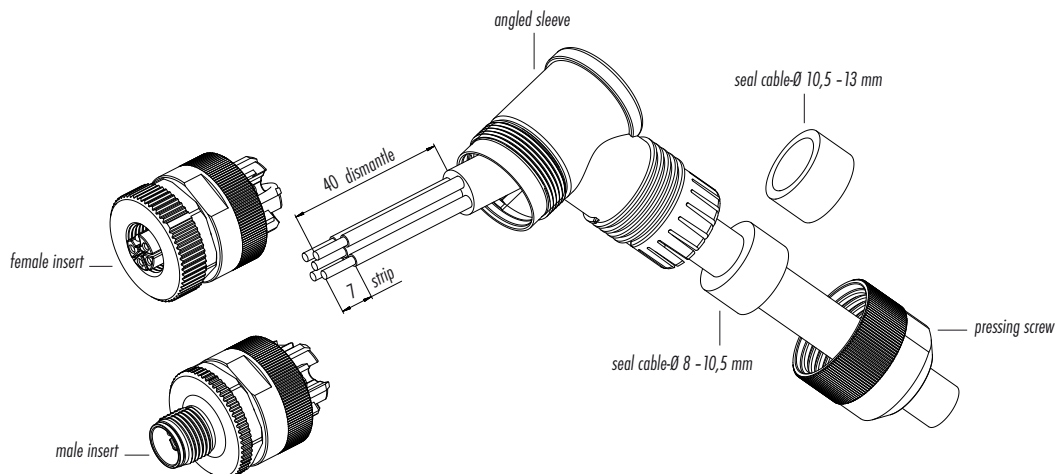
4+PE	L	8-13 mm	99 0639 58 05
------	---	---------	---------------

Female angled connector with **L-coding**, screw clamp termination, Power



4+PE	L	8-13 mm	99 0640 58 05
------	---	---------	---------------

**Assembly instruction**



1. Clamp out screws until bores for single wires are completely free.
2. Push pressing screw, suitable seal and angled sleeve individually on cable.
3. Cut off cable coating,
4. Strip single cores and twist single wires.
5. Insert single wires into the holes and tighten clamping screws (0,4 Nm).
6. Slide angled sleeve to the contact insert (if necessary pull on the cable), press on and screw with it. Pay attention to the position of the coding to the cable outlet. Adjustable in 72° steps.
7. Push seal into the angled sleeve as far as it will go, if necessary, press in with the flat side of the screwdriver blade.
8. Screw pressing screw.

# M12-L

Series	823
Contacts	4+FE
Coding	L
Thread	M12 x 1
Rated current	16 A
Rated voltage	63 V DC
Degree of protection	IP68 in mated condition
Contact plating	Au (gold)



## 823 Series • M12 L-Coded, Two-Part Panel Mount Connectors

- Dip solder contacts
- 16 A, 63 V
- Front and rear fastening
- Contact insert and panel mount housing have no permanent connection
- Grey contact body
- Contacts with gold surface
- Suitable for reflow soldering
- Available from October 2020



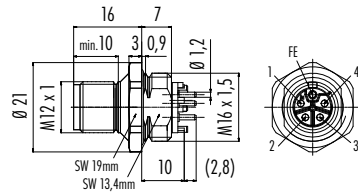


**Description**

Male panel mount connector, two-part design, Power, L-coding



**Drawing**



**Contacts**

4+FE

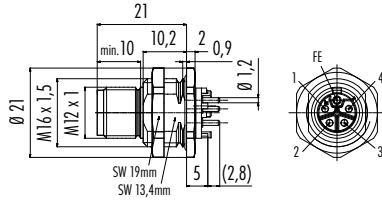
**Fixing thread**

M16 x 1,5

**Ordering-No.**

99 0641 20 05

Male panel mount connector, front fastened, two-part design, Power, L-coding

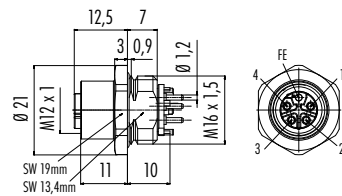


4+FE

M16 x 1,5

99 0641 10 05

Female panel mount connector, two-part design, Power, L-coding

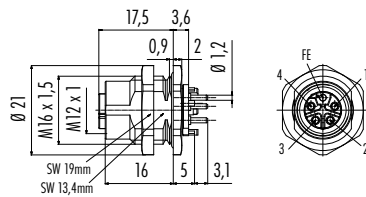


4+FE

M16 x 1,5

99 0642 20 05

Female panel mount connector, front fastened, two-part design, Power, L-coding



4+FE

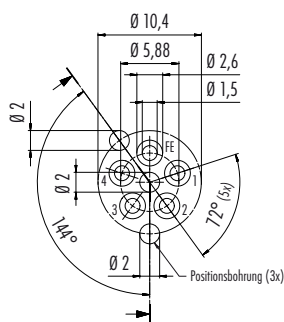
M16 x 1,5

99 0642 10 05

**Drilling schemes**

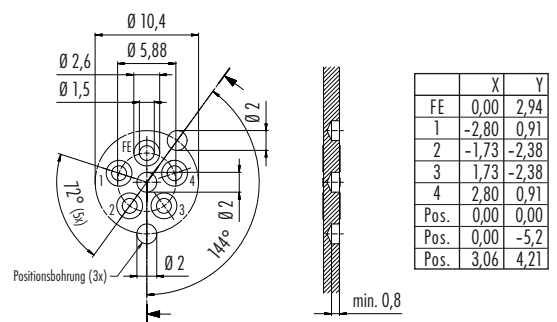
male insert (PCB), shielding sheet

4 contacts



	X	Y
FE	0,00	2,94
1	2,80	0,91
2	1,73	-2,38
3	-1,73	-2,38
4	-2,80	0,91
Pos.	0,00	0,00
Pos.	0,00	-5,2
Pos.	-3,06	4,21

female insert (PCB), shielding sheet

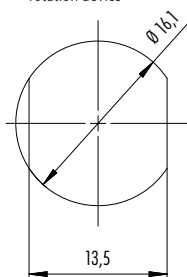


	X	Y
FE	0,00	2,94
1	-2,80	0,91
2	-1,73	-2,38
3	1,73	-2,38
4	2,80	0,91
Pos.	0,00	0,00
Pos.	0,00	-5,2
Pos.	3,06	4,21

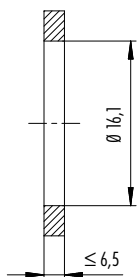
**Panel cut out**

Panel mount connectors

With flats as anti-rotation device

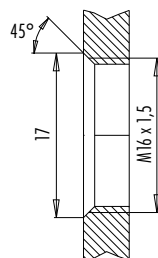


With bore hole



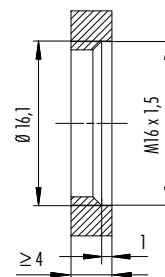
**Rear mounting**

With thread to screw in



**Front mounting**

With thread to screw in



← Screw-in direction panel mount part

**Tightening moment**

Metal housing 1,25 Nm  
Plastic housing 1,25 Nm





# Börsig

**Börsig GmbH Electronic-Distributor**  
Siegmond-Loewe-Strasse 5  
74172 Neckarsulm  
Germany

Tel. +49 7132 9393-8899  
Fax +49 7132 9393-739  
[export@boersig.com](mailto:export@boersig.com)  
[www.boersig.com](http://www.boersig.com)